

Part number

CAP 10.221

Brief description:

surface mounting housings with 2 levers, size "57.27", Pg21 x 2, metal version, IP66



Product description

| | |
|--------------|---|
| Version | metal version |
| Series | surface mounting housings with 2 levers |
| Product type | with 2 levers |
| Style | high construction |
| Family | CLASS enclosures |
| Size | size "57.27" |

Technical data

| | |
|-------------------------|--------------------------------|
| Material | metal |
| IP degree of protection | IP66 (and IP69K DIN 40050 - 9) |
| Cable entry | Pg21 x 2 |

Further technical details

| | |
|--------|----------|
| Weight | 360,00 g |
|--------|----------|

Approvals / Standards

| | |
|--------------|---|
| Quality mark |  (type:4/4X/12),  , EAC |
| Conformity | CQC, CE |

General ordering information

| | |
|---------------|---------------|
| EAN13 code | 8015747007825 |
| Tariff number | 85369095 |

Packaging Information

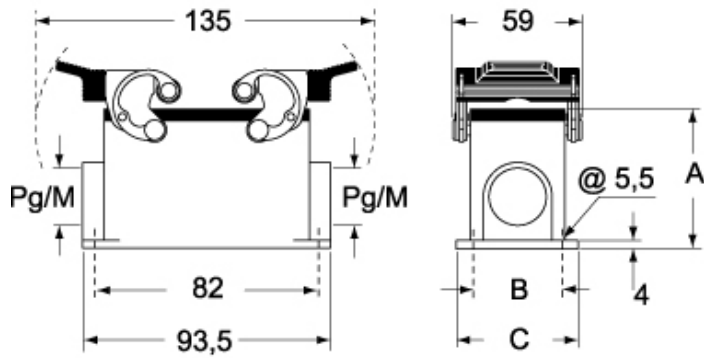
| | |
|---------------------------|-----------------------|
| Packaging length | 475,00 mm |
| Packaging height | 200,00 mm |
| Packaging width | 150,00 mm |
| Packaging weight | 3,60 kg |
| Packaging volume | 14,25 dm ³ |
| Packaging description | Carton box |
| Packaging quantity | 10 Pcs |
| Packaging EAN code | 8015747236447 |
| Sub-packaging weight | 1,80 kg |
| Sub-packaging description | Plastic packaging |
| Sub-packaging quantity | 5 Pcs |
| Sub-packaging EAN barcode | 8015747007832 |

Part number

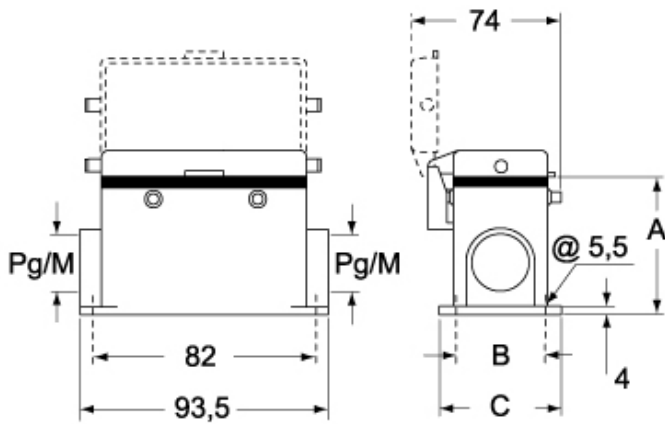
CAP 10.221

Catalogue drawings

CHP CAP - MHP MAP



CHP CS/CP CAP CS/CP - MHP CS/CP MAP CS/CP



| | A | B | C |
|-----------------|----|----|----|
| CHP L / MHP L | 57 | 40 | 52 |
| CAP L / MAP L | 73 | 45 | 57 |
| CHP CS / MHP CS | 57 | 40 | 52 |
| CAP CS / MAP CS | 73 | 45 | 57 |
| CHP CP / MHP CP | 57 | 40 | 52 |
| CAP CP / MAP CP | 73 | 45 | 57 |